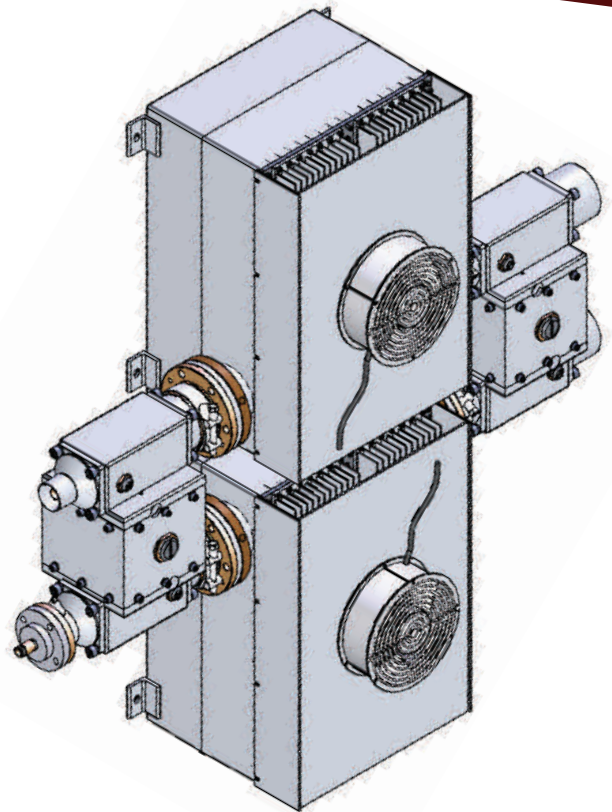




RCCC-301-1UMFB

UHF Mask Filter / Combiner

JAMPRO RF Systems' UHF Constant Impedance DVB-T/T2, ISDB-T, DTV Mask Filter / Combining Module provides outstanding performance in a compact design. The RCCC-301-1UMFB combiner module and filter provides excellent results in the bandpass and channel combining application, as well as providing mask filtering. Each unit is electrically and mechanically performance tested to ensure strict adherence to Jampro's superior level of quality. The combiner is designed for applications where size concerns are a premium.



- **UHF 470-860 MHz**
- **Up to 5kW average per Channel**
- **Rugged High Quality Design**
- **Constant Impedance (Balance Type)**
- **Integrated DTV Mask Filtering**

TYPICAL SPECIFICATIONS

Channel Bandwidth	6 MHz	8 MHz	
Channel Spacing	1 channel minimum		
VSWR	<1.10:1		
Insertion Loss	(ATSC)	(ISDB-T)	(DVB-T2)
Narrowband (NB)	$f_0 < 0.50$ dB	$f_0 < 0.50$ dB	$f_0 < 0.50$ dB
NB Pass Bandwidth	$f_0 \pm 2.69$ MHz < 1.0 dB	$f_0 \pm 2.79$ MHz < 1.2 dB	$f_0 \pm 3.885$ MHz < 1.50 dB
NB Rejection Mask	$f_0 \pm 3.50$ MHz > 10 dB	$f_0 \pm 3.15$ MHz > 4 dB	$f_0 \pm 4.200$ MHz > 4 dB
	$f_0 \pm 4.00$ MHz > 33 dB	$f_0 \pm 4.50$ MHz > 18 dB	$f_0 \pm 6.000$ MHz > 25 dB
	$f_0 \pm 9.00$ MHz > 65 dB	$f_0 \pm 9.00$ MHz > 35 dB	$f_0 \pm 12.000$ > 35 dB
Wideband (WB)	< 0.1 dB	< 0.1 dB	< 0.1 dB
Isolation			
NB to WB		> 32 dB	
WB to NB		> 50 dB	
Power			
NB Input		≤5kw Avg	
WB Input		≤15kw Avg	
Connectors			
Inputs	1-5/8" EIA (*other size available)		
Output	3-1/8" EIA (*other sizes available)		
Dimensions	40" x 16" x 40" (1000mm x 400mm x 1000mm)		
Weight	≈ 220 lbs (100 kgs)		