



## UHF-TV LOG-PERIODIC ANTENNA

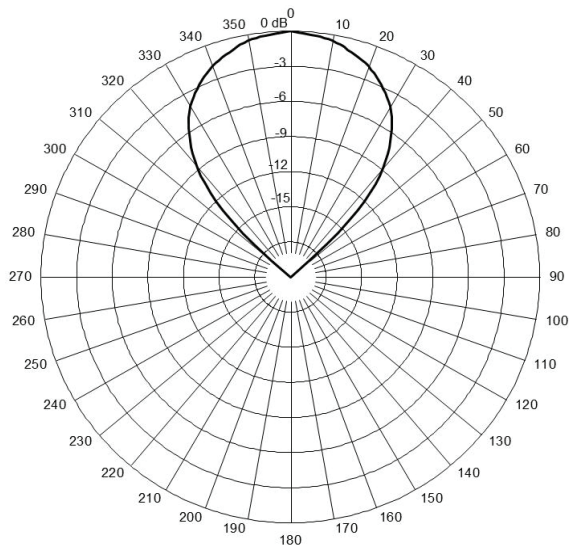
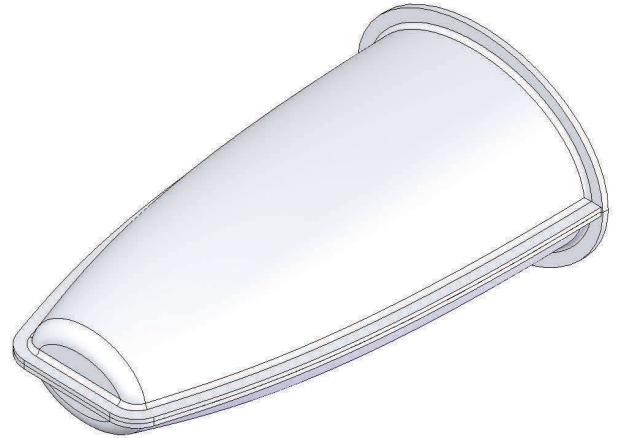
8 dBd gain

470–862 MHz (Channels 14–69\*)

The JAMPRO JLPU Log-Periodic Antenna covers all 6, 7, and 8 MHz UHF-TV channels worldwide (bands IV/V). The JLPU is made of exceptional materials using state of the art electrical and mechanical designs resulting in better-quality performance and long service life.

The JAMPRO JLPU Log-Periodic Antenna is designed for professional UHF-TV transmit and receive applications. The JLPU Log Periodic Antenna is linearly polarized and ruggedly built. The rugged fiberglass radome protects the antenna from icing under unfavorable environmental conditions and assures a stable pattern and gain performance.

The JAMPRO JLPU Log-Periodic Antenna may be used stand alone or in arrays for higher gain, increased side-lobe suppression, or custom azimuth patterns.



Azimuth pattern (E-plane)

### Specifications:

<b>Frequency range</b>	470–862 MHz (broadband)*
<b>Gain</b>	8 dBd
<b>Power gain</b>	6.31
<b>Impedance</b>	50 or 75 Ohms
<b>VSWR</b>	< 1.5:1
<b>Polarization</b>	Horizontal or Vertical
<b>Front-to-back ratio</b>	>34 dB
<b>Maximum input power</b>	100 watts, type "N" 75 ohm Connector 220 watts, type "N" 50 ohm Connector
<b>Azimuth pattern</b>	52 degrees (half-power) Elevation Pattern 72 degrees (half-power) Elevation Pattern N female (50 or 75 ohms)
<b>Weight</b>	26 lb (11.8 kg)
<b>Dimensions</b>	30 x 17.5 x 13 inches
<b>Wind Area</b>	EPA (no ice) = 1.2 sq. ft. (0.1 sq. m.) EPA (1/2" ice) = 1.3 sq. ft. (0.1 sq. m.)
<b>Mounting</b>	Mounting kits available for masts of 3" Pipe

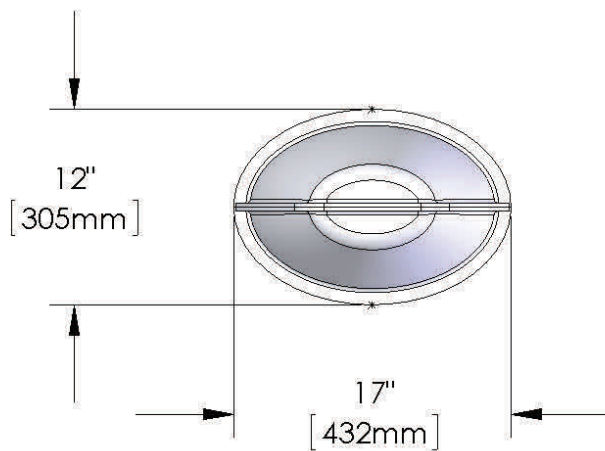
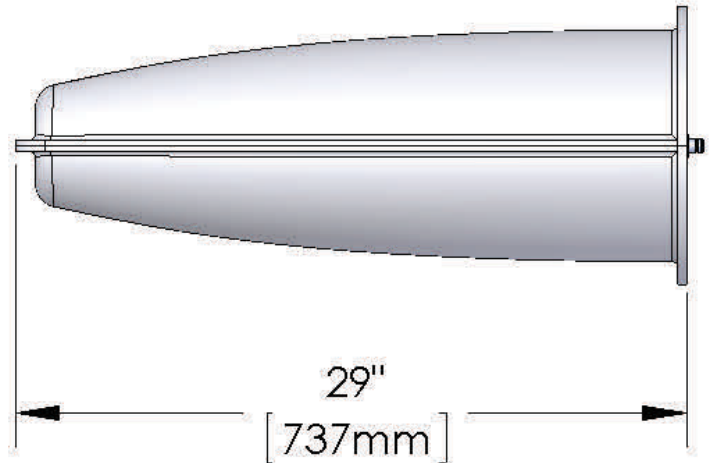


# JLPU

## UHF-TV LOG-PERIODIC ANTENNA

8 dBd gain  
470–862 MHz (Channels 14–69\*)

TYPE "N"  
CONNECTOR



Since many factors contribute to a station's compliance with the FCC exposure guidelines for radio frequency radiation, JAMPRO ANTENNAS, INC. cannot accept any responsibility in this matter. The station must examine and determine its status based on each individual situation. For reduced low angle radiation near the tower, a low RFR model of this antenna is available. Contact the factory for pricing data and further details.

\*All specifications are subject to change without notice.